

**PERFORMANCE**

Maximum at Sea Level ..... 80 MPH  
 Cruise. .... 55 MPH  
 5 Gallons Usable Fuel. .... Time - 1.8 HRS  
 Range ..... Range - 100 NM  
 RATE-OF-CLIMB AT SEA LEVEL ..... 750 FPM  
 SERVICE CEILING ..... 8,000 FEET  
 FLIGHT LOAD FACTORS.....+3.8g, -1.5g

**TAKEOFF/ LANDING :**

Ground Roll ..... \*150 FEET

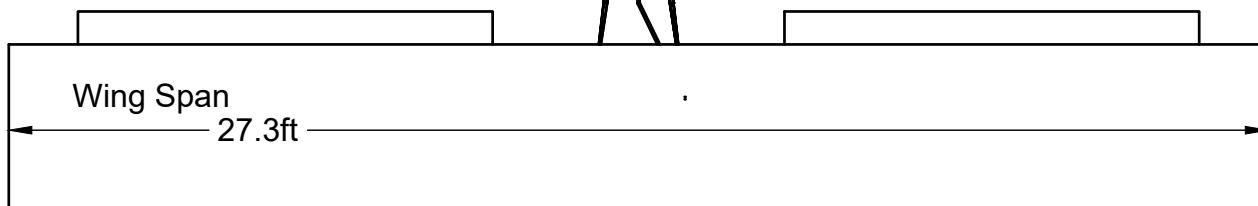
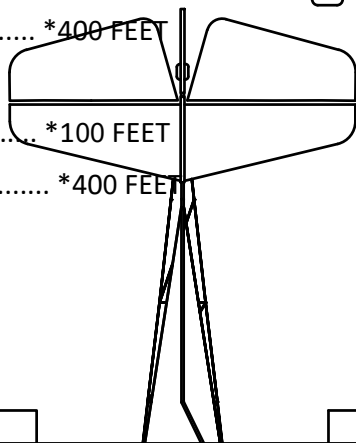
Total Distance Over 50 Foot Obstacle..... \*400 FEET

**LANDING PERFORMANCE:**

Ground Roll ..... \*100 FEET

Total Distance Over 50 Foot Obstacle ..... \*400 FEET

\*Normal operations.

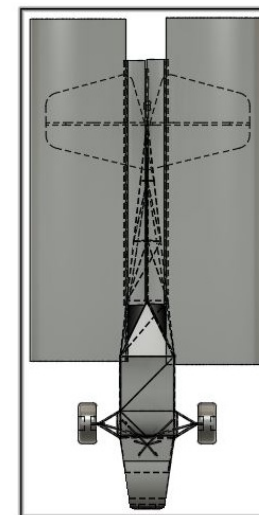


**STALL SPEED:**

Flaps Up, Power Off ..... 33 MPH

Flaps Down, Power Off ..... .26 MPH

**Folded Dimensions  
90in Wide**



**19 ft  
Long**

