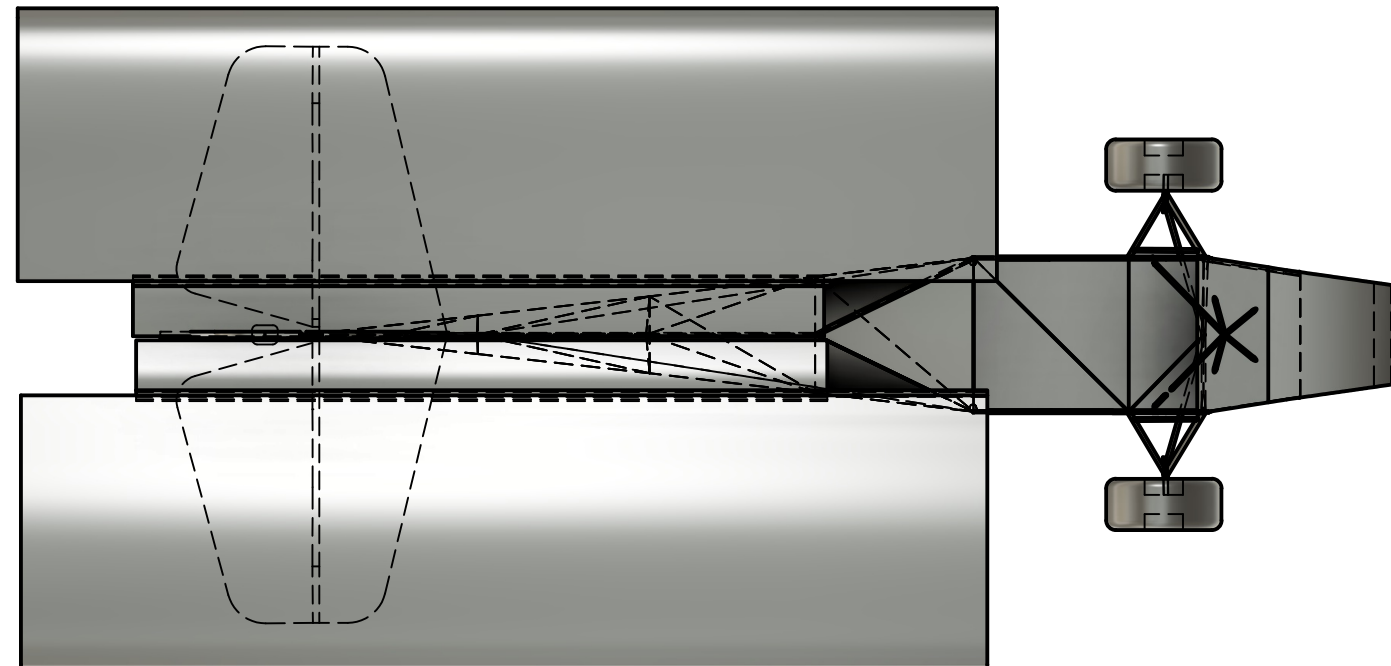


**19 ft  
Long**

**90in Wide**



	PROJECT			
	<b>Folded Dimensions</b>			
	TITLE			
<b>Transportation Configuration</b>				
Fold/Unfold in less than 2 miuntes				
APPROVED	SIZE	CODE	DWG NO	REV
CHECKED	B			
DRAWN	Chris Deuel	2/5/2024	SCALE 1:30	WEIGHT
			SHEET 1/1	